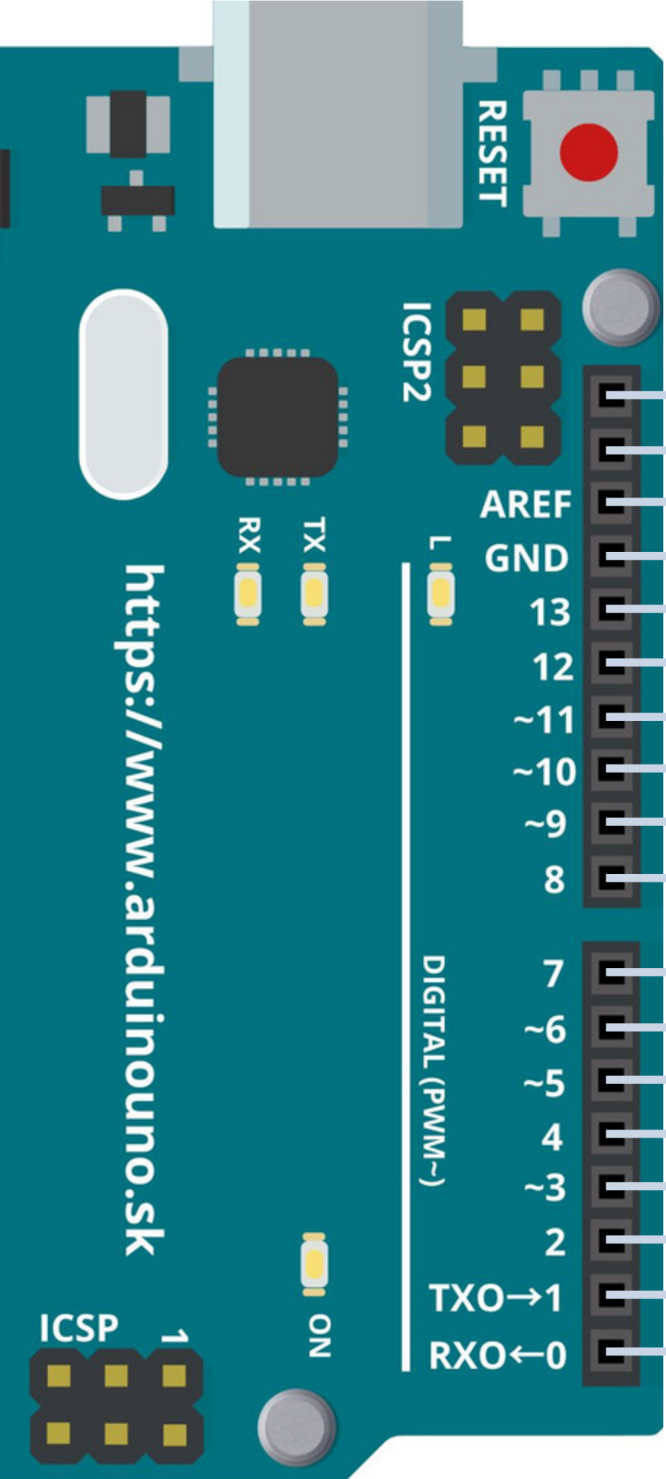


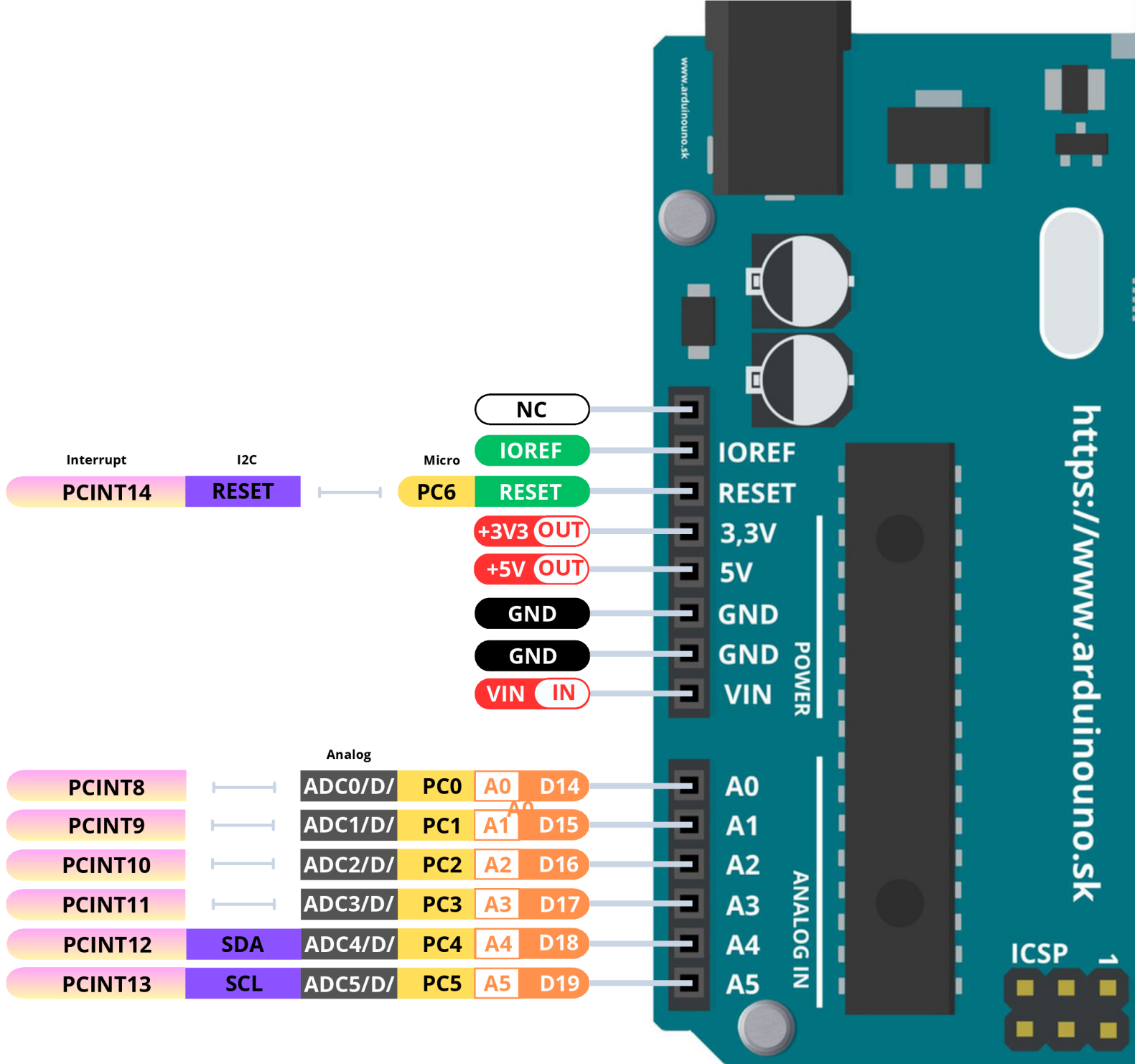
Arduino UNO

<https://www.arduino.sk>

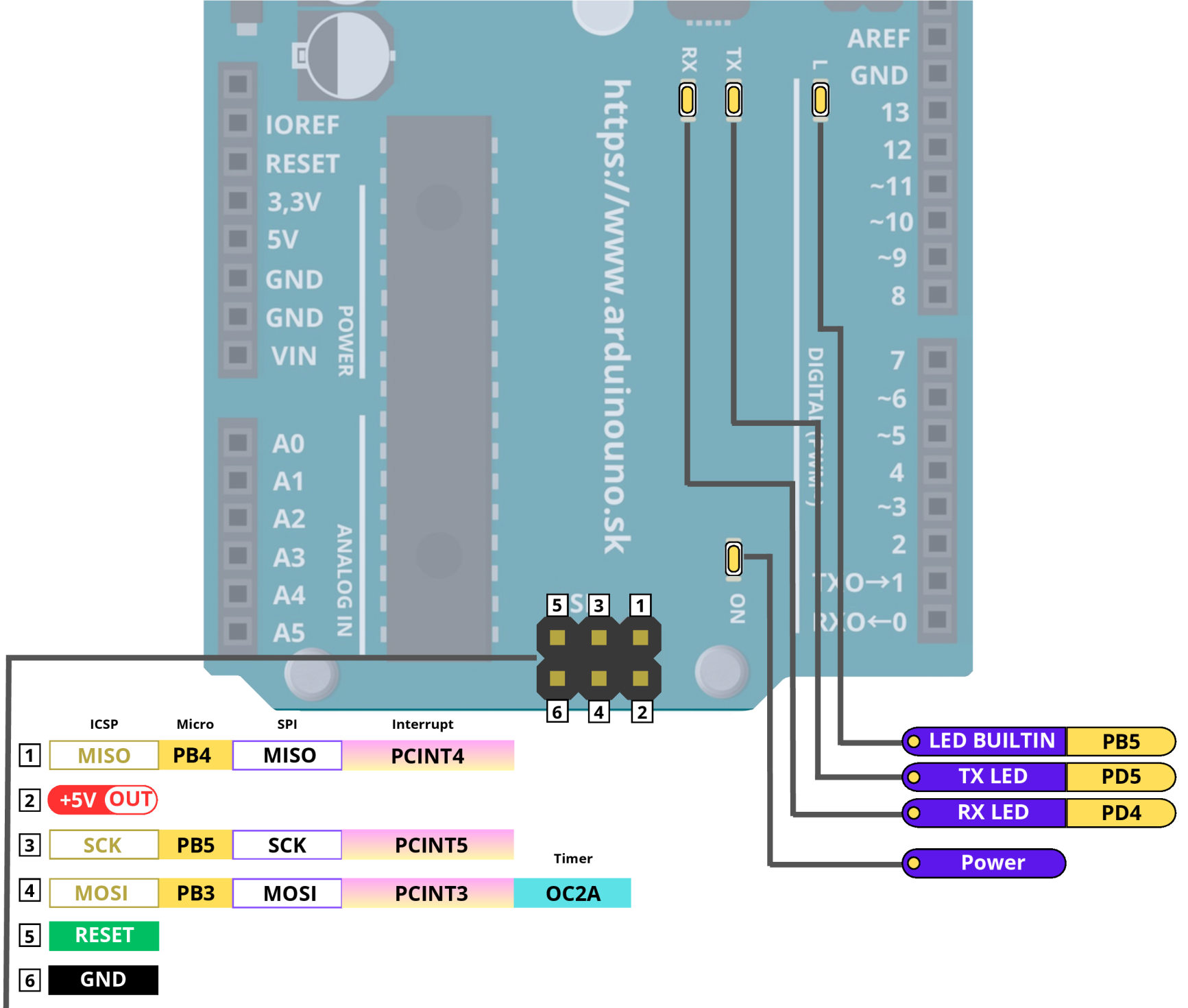


Digital Pin	Micro	I2C	Interrupt	Analog	Timer
D19/SCL	PC5	SCL	PCINT 13	ADC5	
D18/SDA	PC4	SDA	PCINT 12	ADC4	
AREF					
GND					
		SPI			
13	PB5	SCK	PCINT 5		
12	PB4	MISO	PCINT 4		
~11	PB3	MOSI	PCINT 3		OC2A
~10	PB2	SS	PCINT 2		OC1B
~9	PB1		PCINT 1		OC1A
8	PB0		PCINT 0		CLKO/ICP1
		UART			
7	PD7		PCINT 23	AIN/1	
~6	PD6		PCINT 22	AIN/0	OCOA
~5	PD5		PCINT 21		OCOB/T1
4	PD4		PCINT 20		T0/XCK
~3	PD3		PCINT 19 /INT/1		OC2B
2	PD2		PCINT 18 /INT/0		
TXO→1	PD1	TXD	PCINT 17		
RXO←0	PD0	RXD	PCINT 16		

TOP VIEW



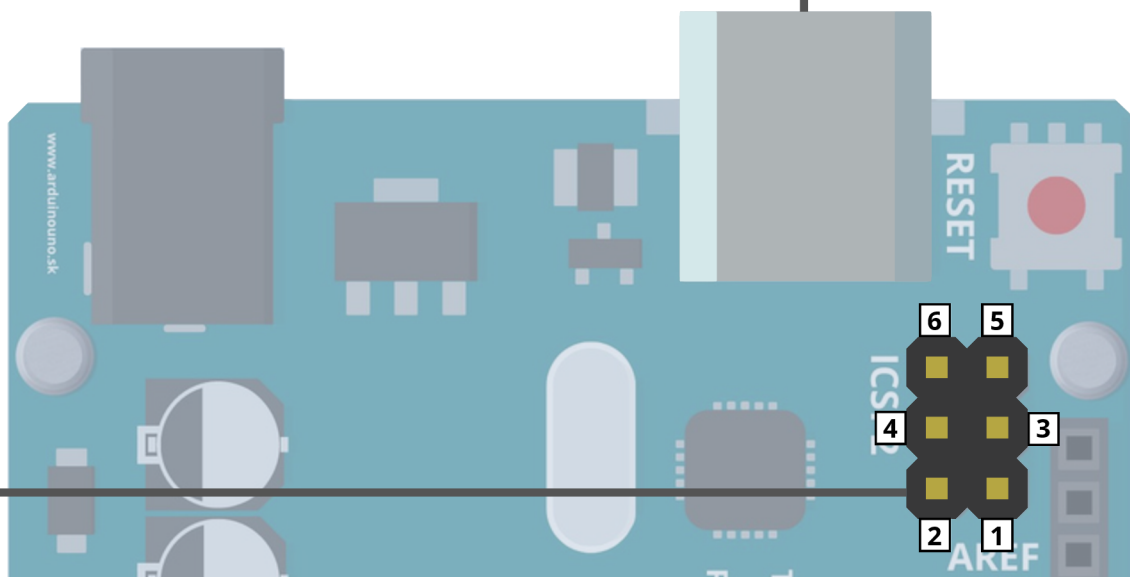
TOP VIEW



TOP VIEW

	ICSP1	ATMEGA16U2
1	MISO	SCK
2	+5V OUT	
3	SCK	MOSI
4	MOSI	UPDI
5	RESET	
6	GND	

USB	ATMEGA16U2
GND	UCAP
VBUS IN	UVCC
USB D+	D-
USB D-	D+
GND	UGND

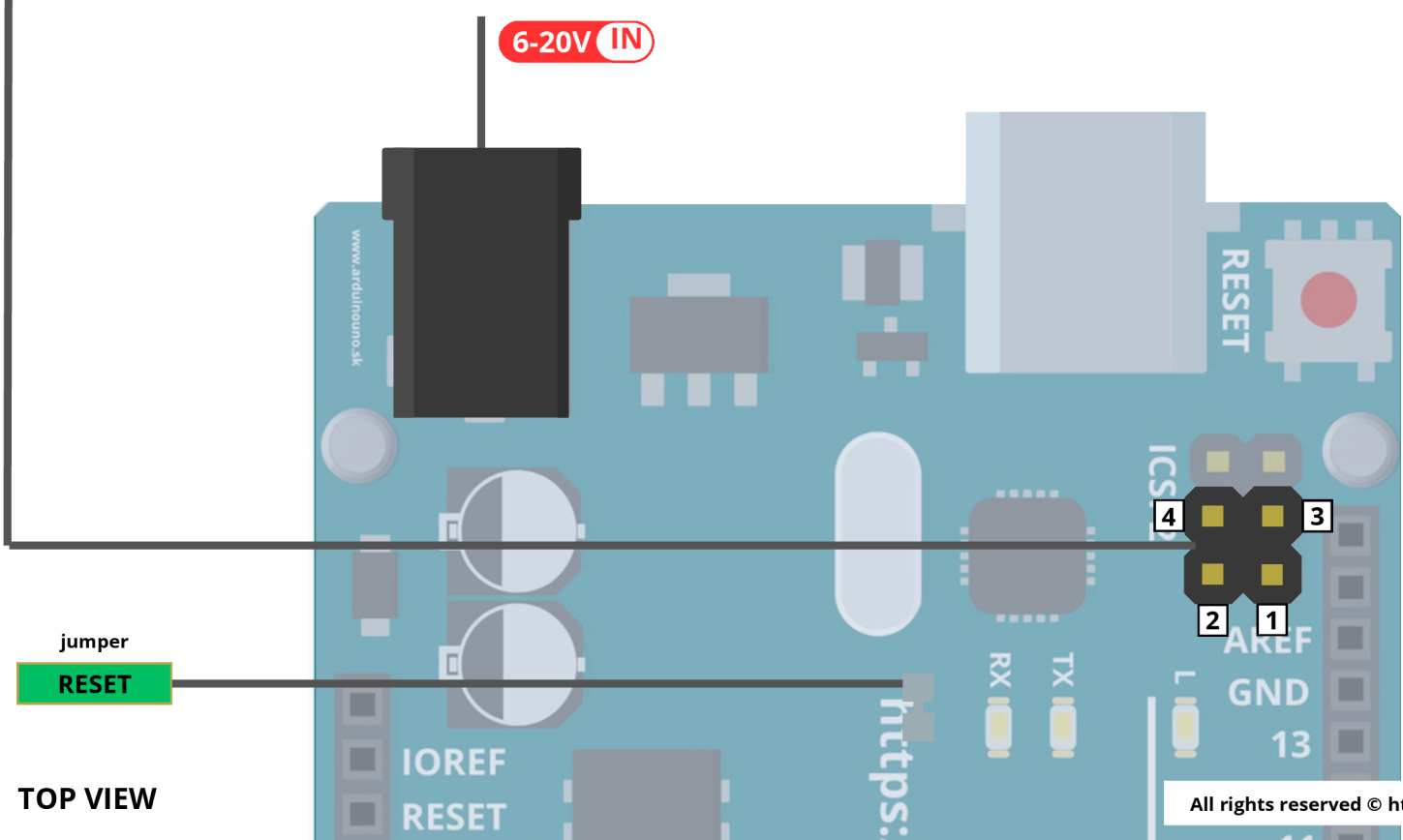


TOP VIEW

ATMEGA16U2

- 1 PB4
- 2 PB6
- 3 PB5
- 4 PB7

6-20V IN



jumper

RESET

TOP VIEW

- POWER
- GROUND
- GPIO Digital external
- Analog external
- Main part
- Reset , System control , Debugging
- I2C
- SPI
- UART
- Interrupt
- Analog
- Timer
- Internal component
- Default
- Default
- LED

VIN IN 6-20V input to the board

! Maximum current per I/O Pin is 20mA

! Maximum current per +3 . 3V Pin is 50mA

